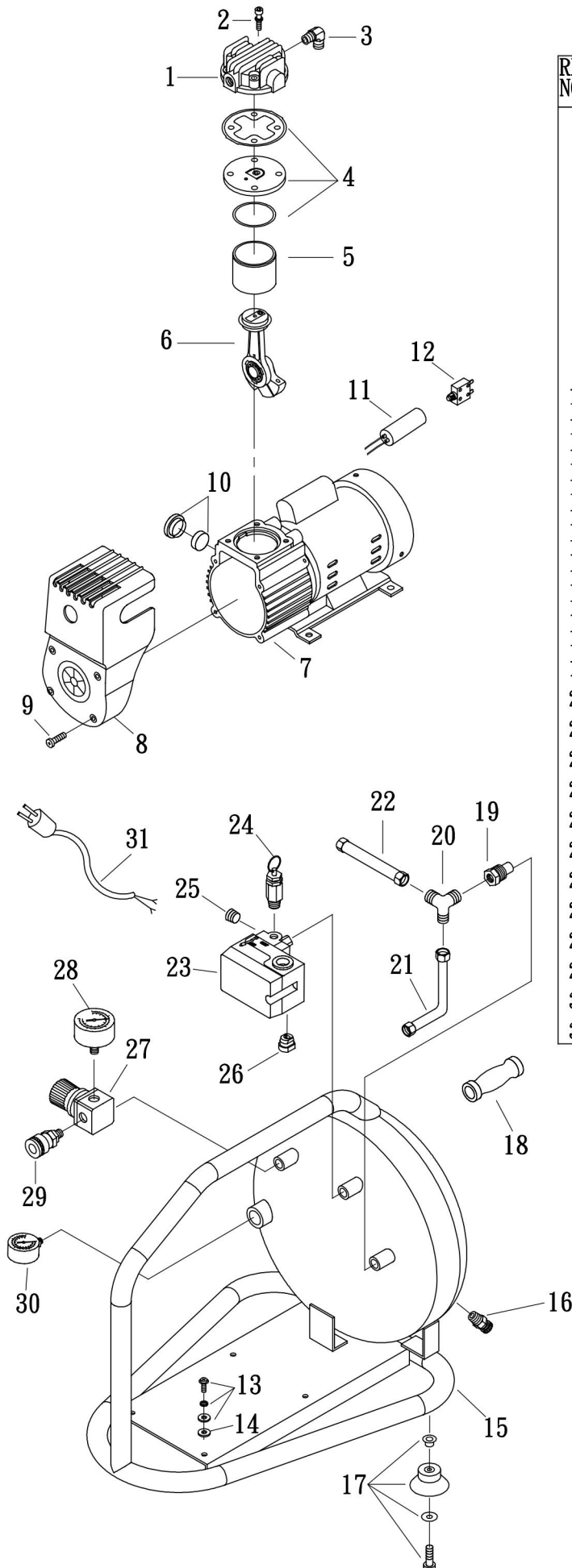


MODEL :PN-1004PK

SPARE PARTS LIST

NO : MP-1910



REF. NO.	DESCRIPTION	PART NO.	QTY.
1	Cylinder head	3101063A	1
2	Allen bolt set	3B01-M05*060V	4
3	Exhaust elbow	2N06-01T02H	1
4	Exhaust valve seat set	3B11-DC02A	1
5	Cylinder	3201068	1
6	Rod set	3B34-MB02	1
7	Motor set	3B8-MB0202S	1
8	Shroud	2428015	1
9	Bolt	2B02-FM4*015B	4
10	Air filter set	2140026	1
11	Running capacitor	2E27-010F2525	1
12	Circuit breaker	2E25-05A	1
13	Hexagon bolt set	3B00-FM06*012VW	4
14	Body seat block	2439008	4
15	Air tank	3401739	1
16	Drain valve	2405011	1
17	Rubber pad set	3433011-A	3
18	Grip	2432108	1
19	Check valve	2414033A	1
20	Unloading 3-way pipe	2N09-02H01T02H1	1
21	Unloading tube	3B2-02*280N	1
22	Unloading tube	3B2-02*170F	1
23	Pressure switch	2E21-AA276BP	1
24	Pressure relief valve	2406018A	1
25	Plug	2B14-ST02E	2
26	Strain relief bushing	2E04-008	2
27	Regulator	2408008RNX	1
28	Pressure gauge	2D12-15D15KS	1
29	Quick coupler	07MS01/4M-B	1
30	Pressure gauge	2D12-15V15KS	1
31	Power cable	2E01-012S	1